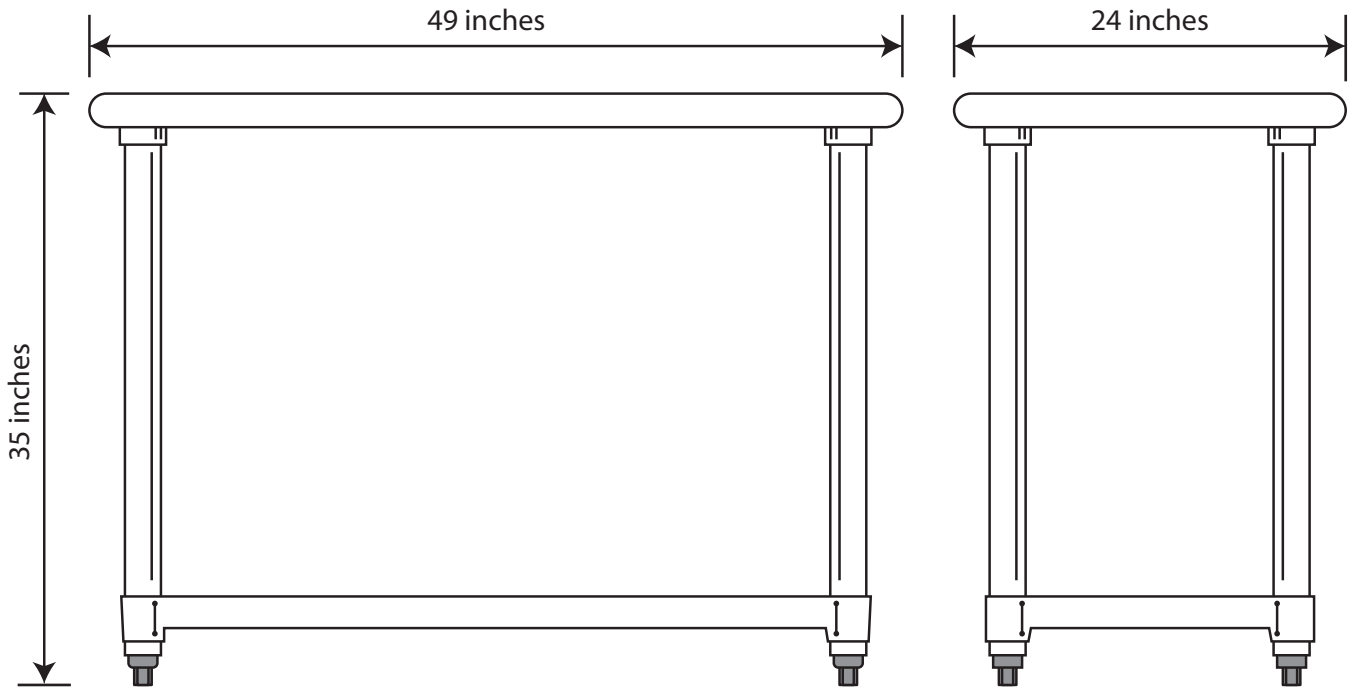
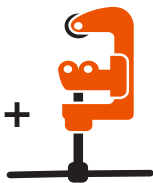


WorkTable

You can reduce the height of your WorkTable by using either a Pipe Cutter or Hacksaw to remove the same length from the top of each leg .



Tools:



+

or

