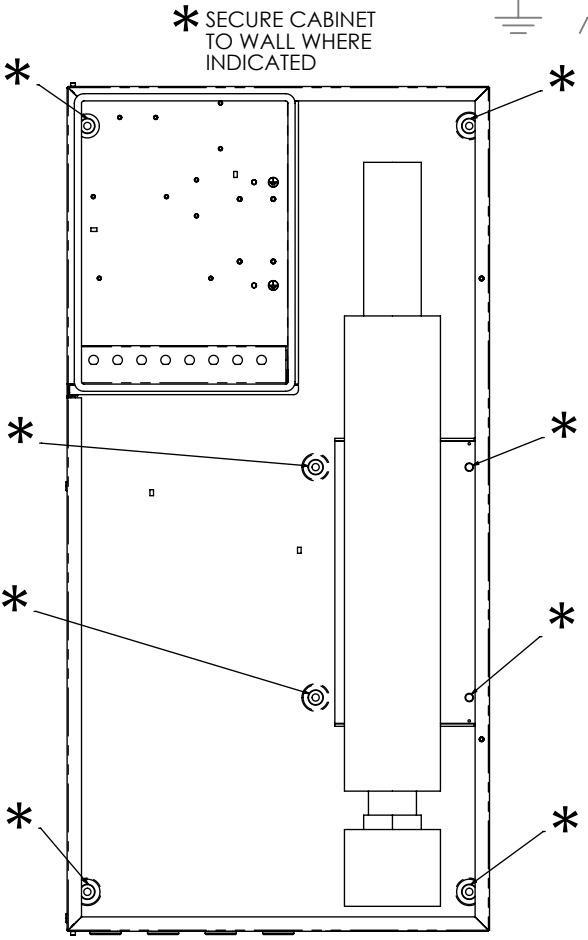
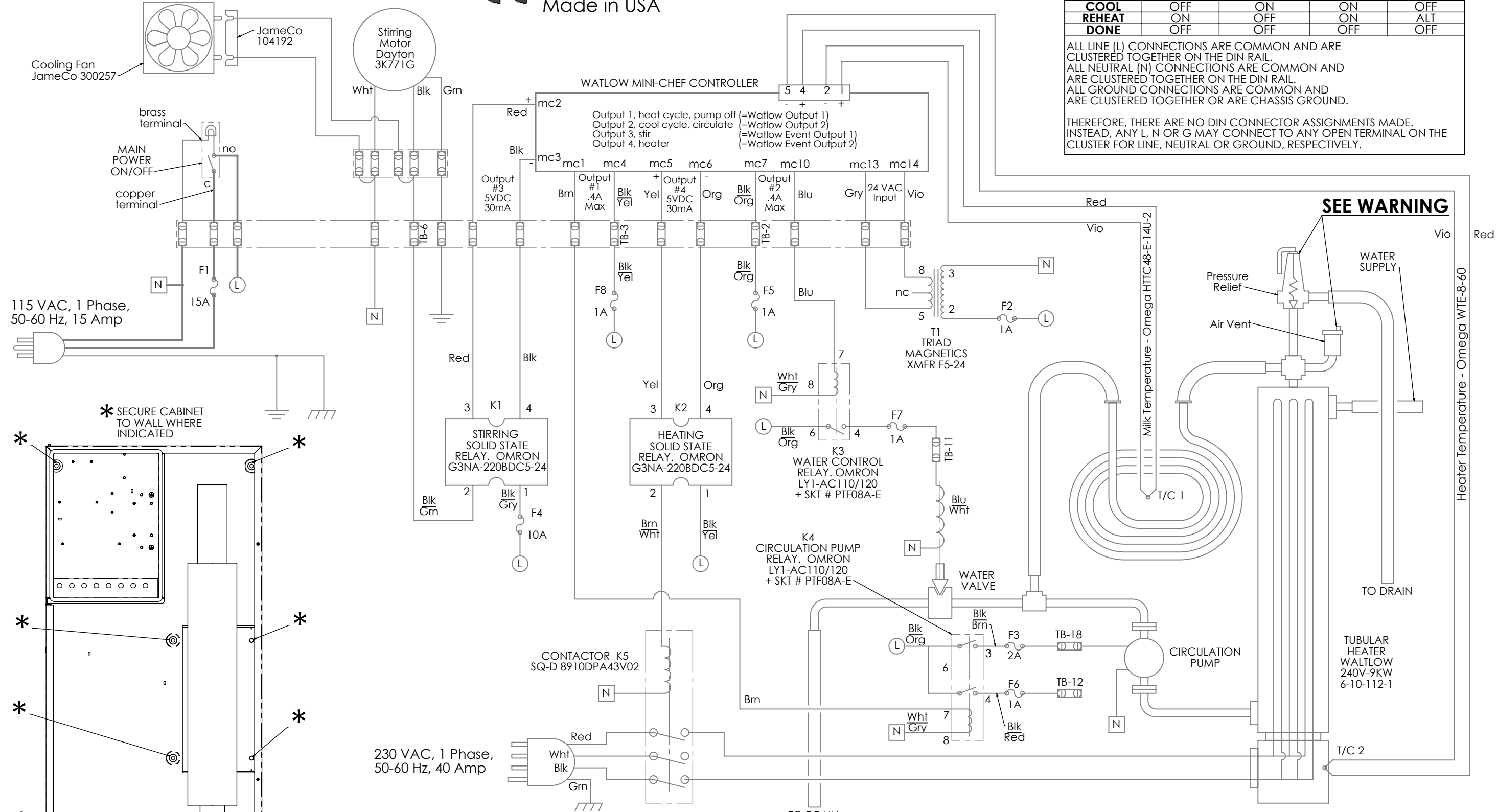


F01774A-Electrical Schematic for DT Series Wall Controlled Pasteurizer.
10/14/07
Copyright Dairy Tech, Inc.

CE Dairy Tech Inc.
www.dairytechinc.com
Made in USA

Mini Chef Controller Output				
MODE	OUTPUT 1 PUMP	OUTPUT 2 WATER	OUTPUT 3 STIR	OUTPUT 4 HEATER
HEAT MILK	ON	OFF	ON	ALT
SOAK	ON	OFF	ON	ALT
COOL	OFF	ON	ON	OFF
REHEAT	ON	OFF	ON	ALT
DONE	OFF	OFF	OFF	OFF

ALL LINE (L) CONNECTIONS ARE COMMON AND ARE CLUSTERED TOGETHER ON THE DIN RAIL.
ALL NEUTRAL (N) CONNECTIONS ARE COMMON AND ARE CLUSTERED TOGETHER ON THE DIN RAIL.
ALL GROUND CONNECTIONS ARE COMMON AND ARE CLUSTERED TOGETHER OR ARE CHASSIS GROUND.
THEREFORE, THERE ARE NO DIN CONNECTOR ASSIGNMENTS MADE. INSTEAD, ANY L, N OR G MAY CONNECT TO ANY OPEN TERMINAL ON THE CLUSTER FOR LINE, NEUTRAL OR GROUND, RESPECTIVELY.



FUSE PANEL LAYOUT

F1	F2	F3	F4	F5	F6	F7	F8
15 A Main	1 A Trans-former	2 A Pump	10 A Motor	1 A Cold Control	1 A Hot Valve	1 A Cold Valve	1 A Hot Control



WARNING: TO AVOID PREMATURE FAILURE OF THE HEATING ELEMENTS, ALL AIR MUST BE PURGED FROM THE HEATER VIA THE AIR VENT AND PRESSURE RELIEF VALVE BEFORE OPERATION OF THE UNIT.

SEE WARNING